

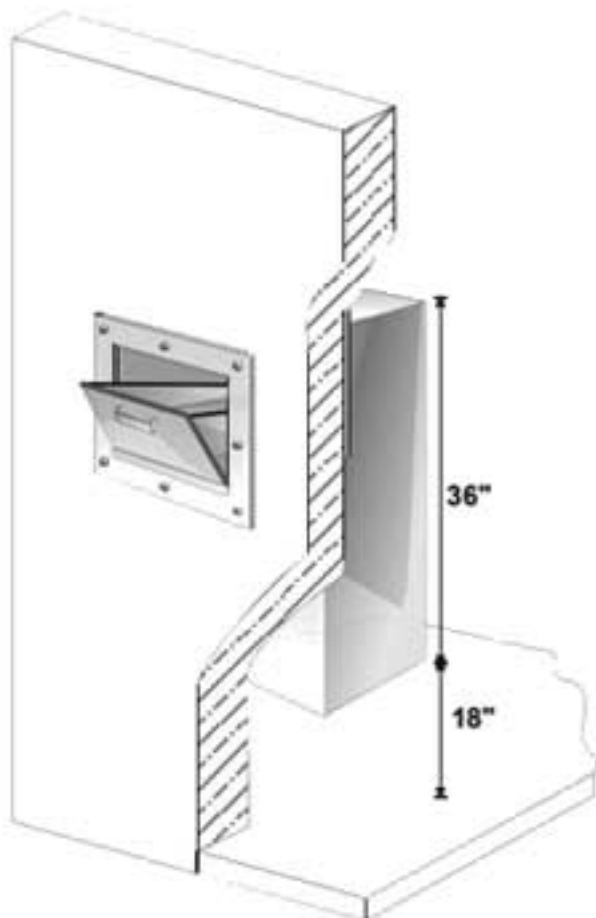


# RIOPEL MAILBOXES



**WE HAVE THE BEST SOLUTIONS FOR ALL YOUR DROPBOX NEEDS**

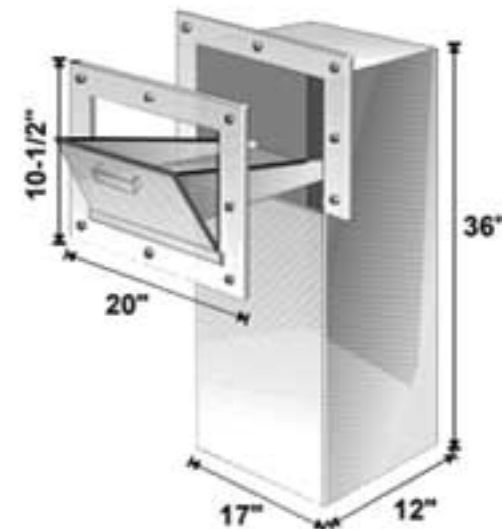
## R210 COLLECTION - DROP BOX



CHUTE WITH DOOR OF 1/4" THICK AND DOOR FRAME OF 3/16" THICK ALUMINUM PLATE BRUSHED AND CLEAR LACQUERED. DOOR IS 6-1/2" X 16". DOOR MAY BE PREPARED FOR CANADA POST OR PRIVATE LOCK. LARGER CHUTES (DOORS) ARE AVAILABLE. CHUTES MAY BE PURCHASED SEPERATELY

CABINET IS MADE OF 18 GAUGE GALVANIZED STEEL PRIMED AND PAINTED SILVER GREY. ACCESS DOOR (WITH CAM LOCK) IS 12" X 16". DIMENSIONS OF CABINET AND ACCESS DOOR MAY BE CHANGED TO MEET CUSTOMER'S NEED. OPTIONS: SLOW DOWN, SECURITY BAFFLE, HIGH SECURITY LOCK OR PADLOCK.

**THE R210 CHUTE AND COLLECTION BOX IS ALSO AVAILABLE IN STAINLESS STEEL**



**R210-R WITH RAMP (BOOK DROP)**



RAIN HOOD (OPTIONAL)

**STANDARD AND CUSTOM DROP BOXES FOR EVERY REQUIREMENT**

P. RIOPEL INC., 595 St-Remi, Montreal, Que., H4C 3G6 • TEL.:(514) 934-0385 FAX:(514) 934-1732  
E-MAIL: [INFO@RIOPEL.NET](mailto:INFO@RIOPEL.NET) WEB SITE: [WWW.RIOPELNET.COM](http://WWW.RIOPELNET.COM)