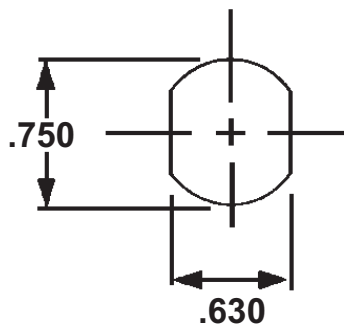
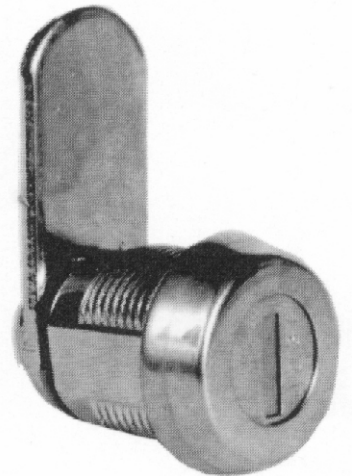
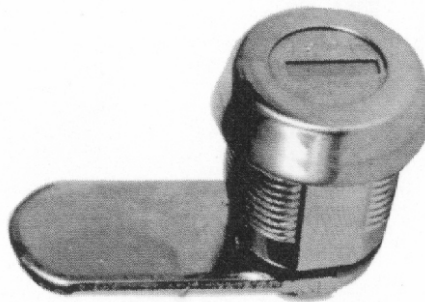
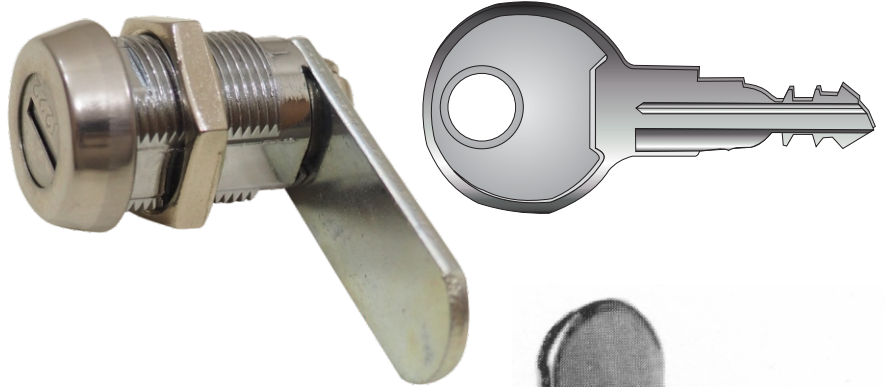




# RIOPEL MAILBOXES

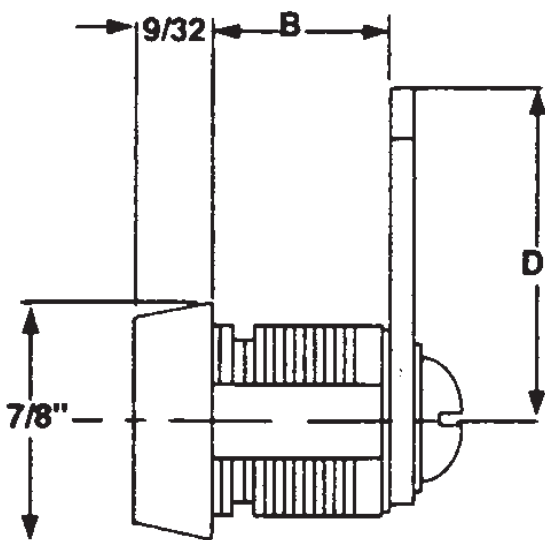
## F3977C CORROSION RESISTANT LOCKS 7/8"

- CORROSION RESISTANT
- DISC TUMBLER
- DUST COVER
- HEX NUT
- KEY BLANK AVAILABLE
- KEYED ALIKE OPTION
- NICKEL PLATED
- REMOVABLE CAM
- THREADED BARREL
- WEATHERPROOF
- 2 KEYS
- 100 CODES MAX



APPLICATION  
HOLE SIZE

LOCK #	B
DC048	7/16
DC058	5/8
DC078	7/8
DC118	1-1/8
CD138	1-3/8



- Over 480 hours of salt spray protection
- Internal O-ring and lubrication prevents water penetration and corrosion.
- 5 disc tumbler mechanism
- 'D' dimension per customer requirements
- Hex nut or speed clip mounted
- Stainless steel capped bezel and dust shield
- Over 100 key combinations available