

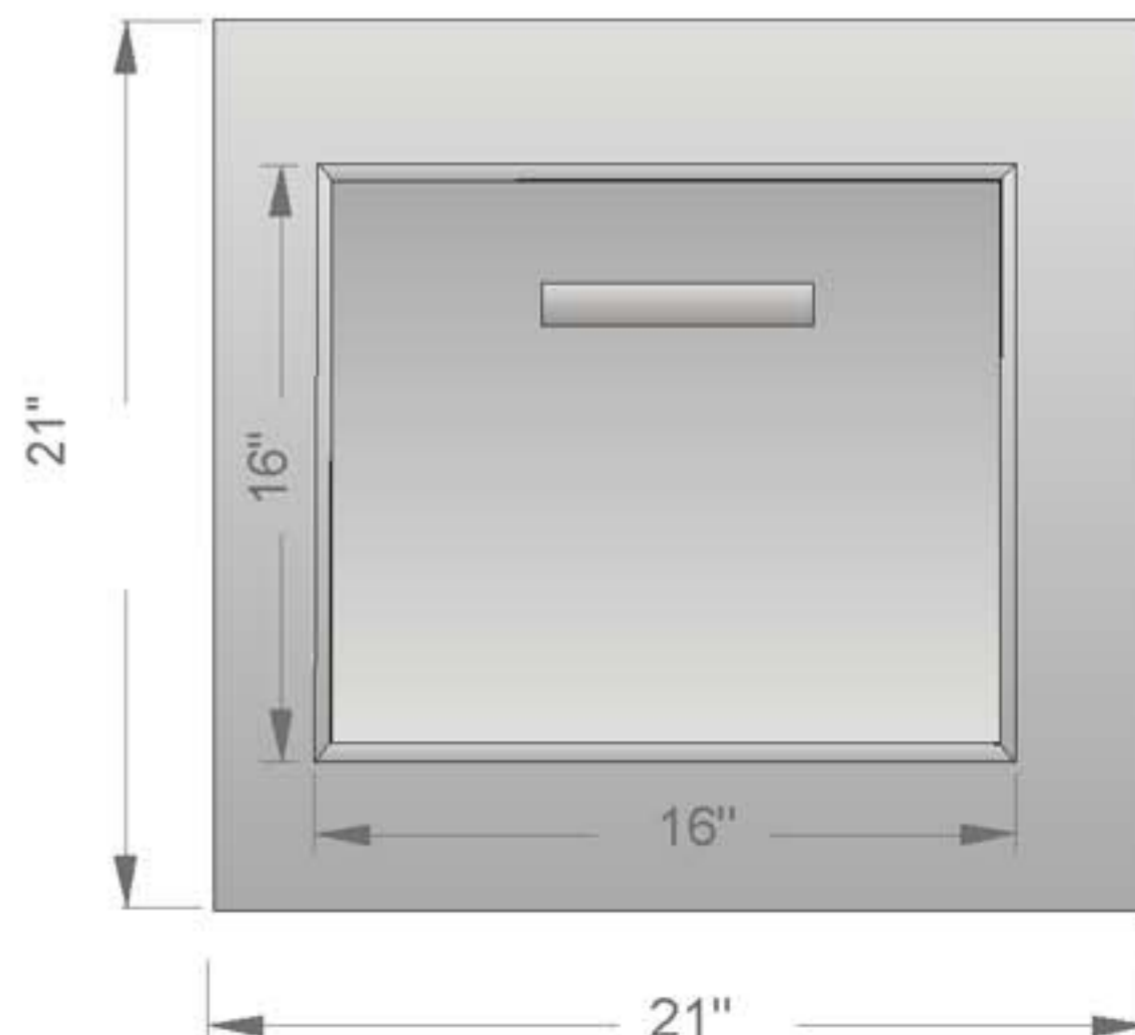
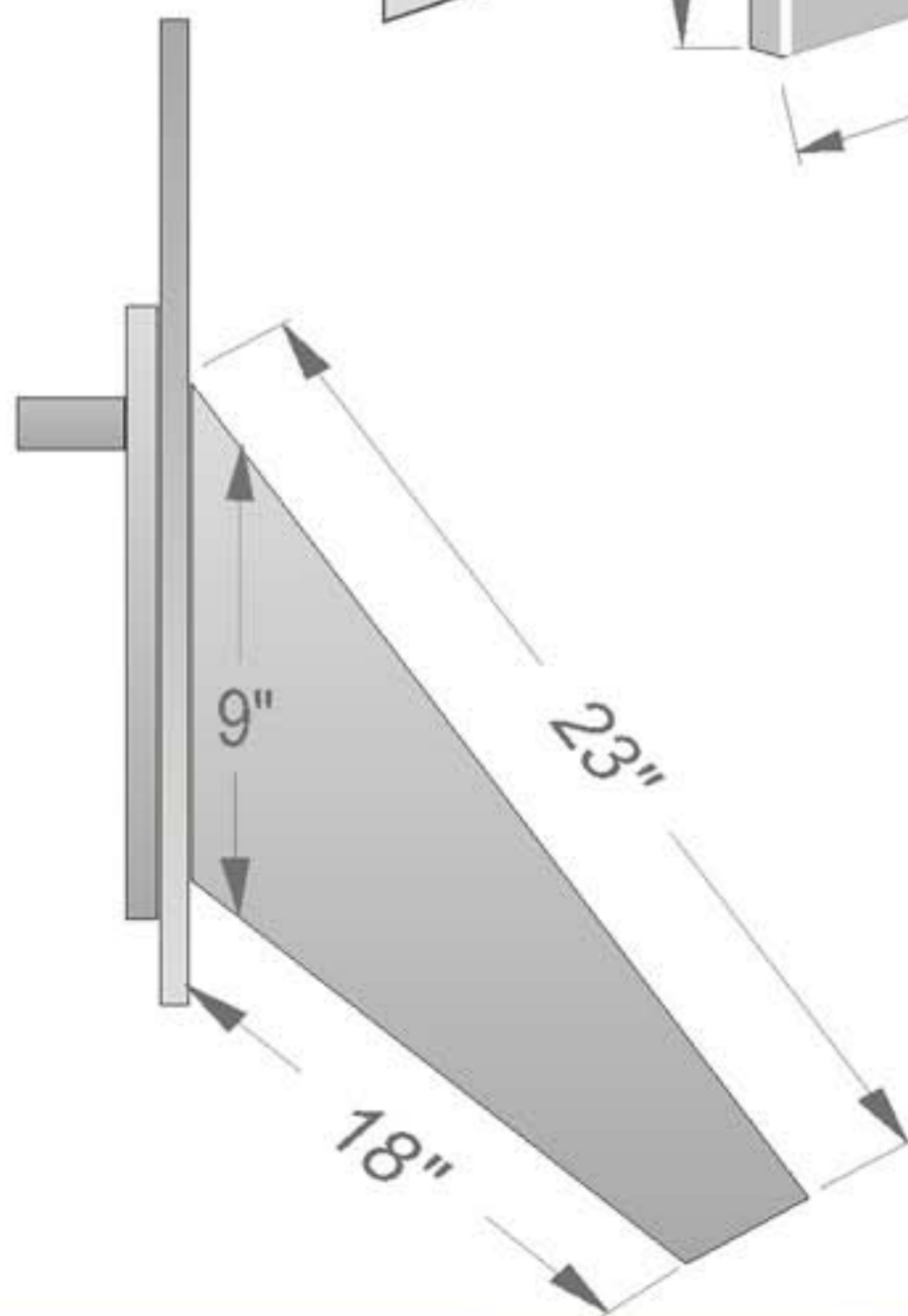
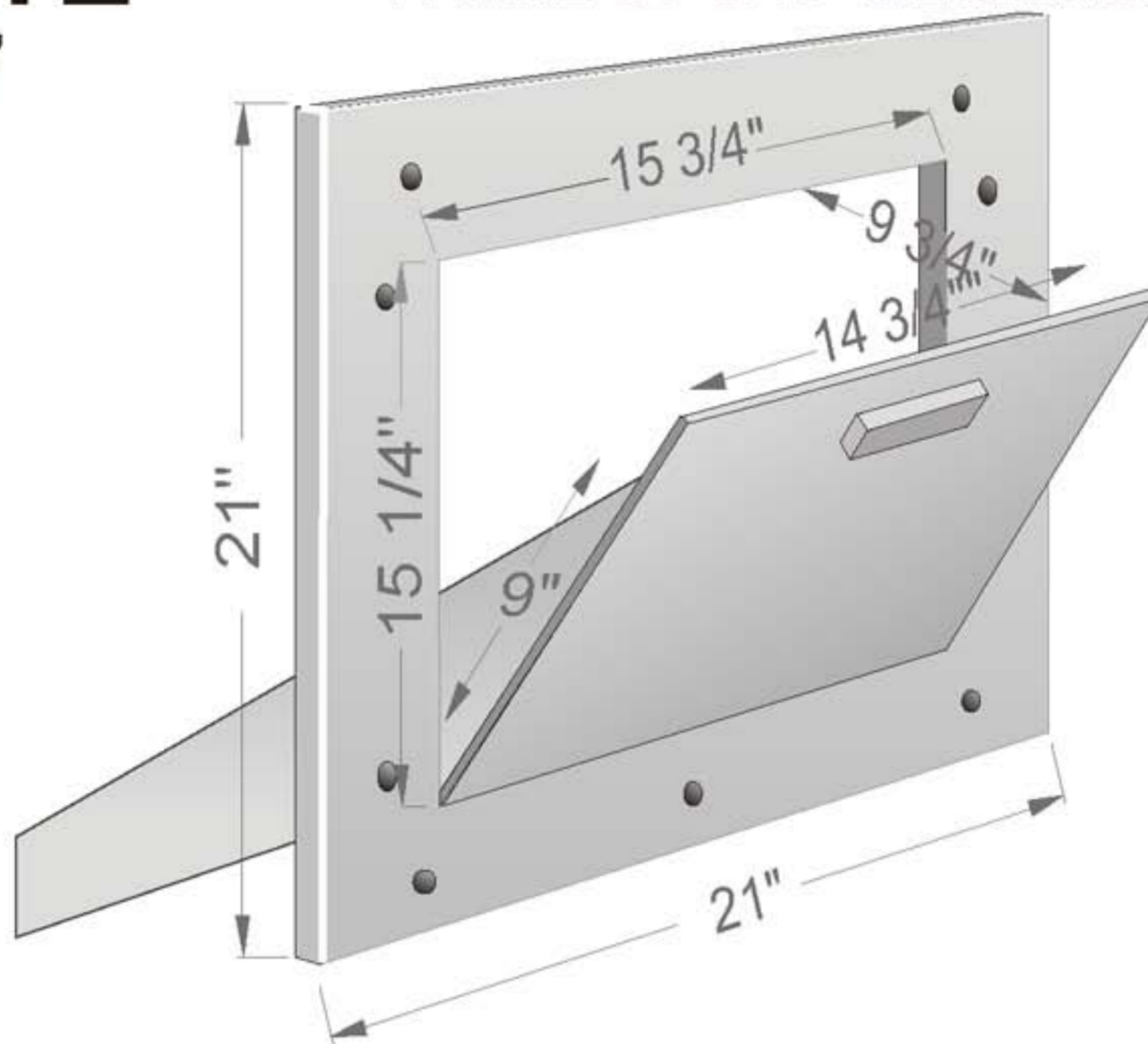
RIOPEL MAILBOXES



THE STANDARD... BY WHICH OTHERS COMPARE

CHUTE R217

- DOORS OF 1/4" ALUMINUM PLATE
- FRAME OF 3/16" ALUMINUM PLATE



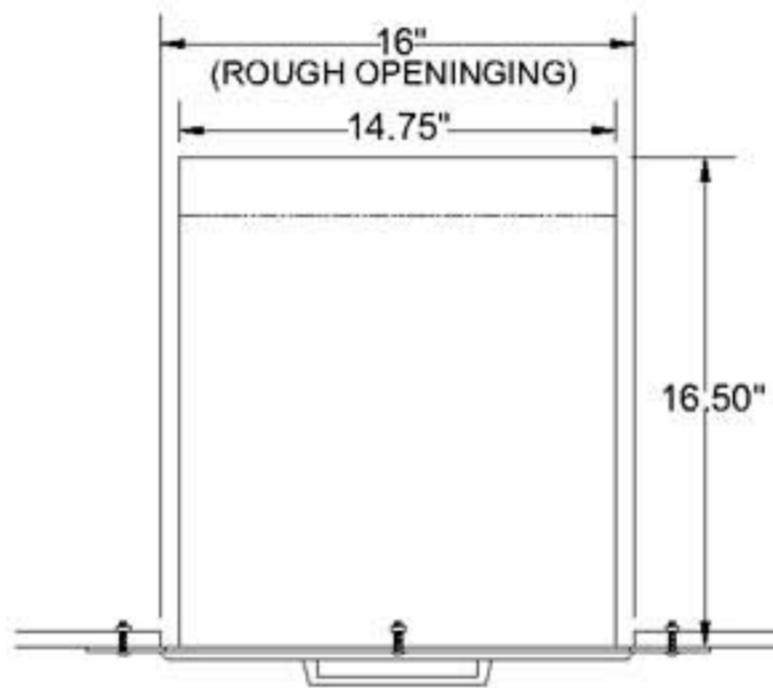
UNEQUALLED EXPERTISE IN MAILBOXES + POSTAL SPECIALTIES

RIOPEL MAILBOXES

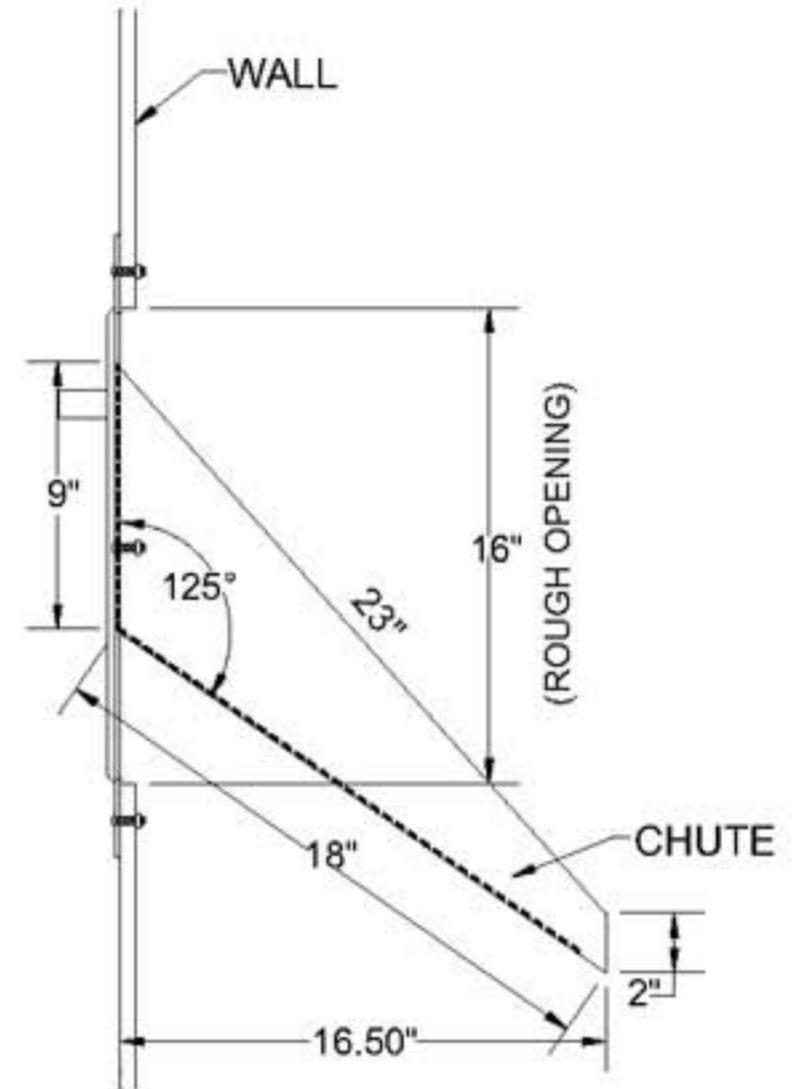


THE STANDARD... BY WHICH OTHERS COMPARE

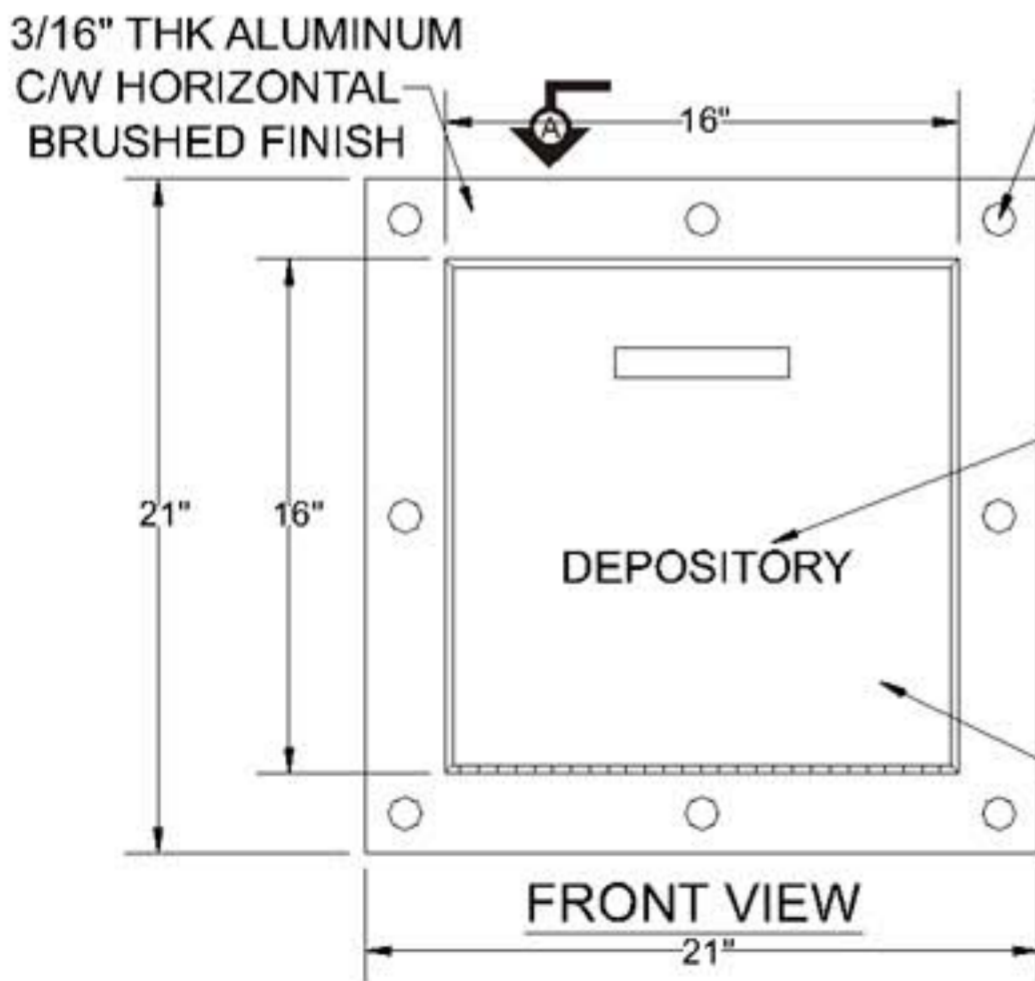
MODEL R217 CHUTE, DOOR AND FRAME



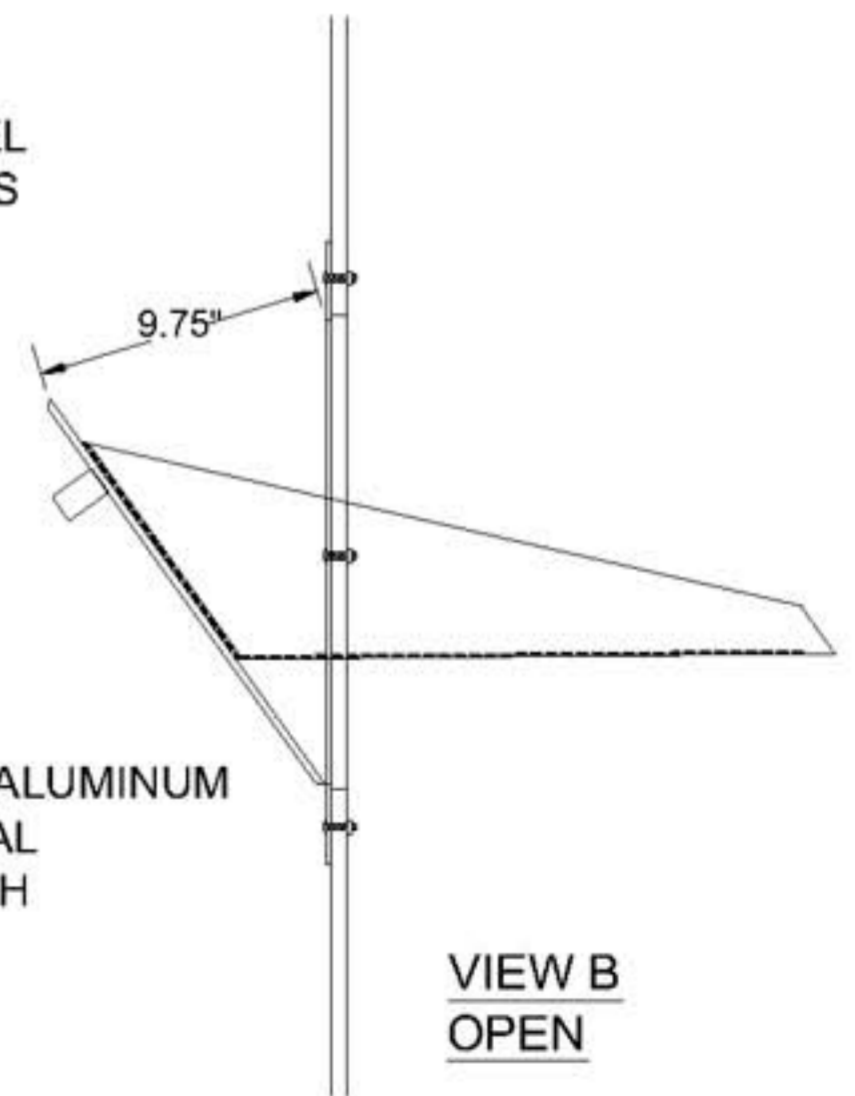
VIEW A



VIEW B



FRONT VIEW



VIEW B
OPEN

UNEQUALLED EXPERTISE IN MAILBOXES + POSTAL SPECIALTIES

P. RIOPEL INC., 595 St-Remi, Montreal, Que., H4C 3G6 • TEL.:(514) 934-0385 FAX:(514) 934-1732
E-MAIL: INFO@RIOPEL.NET WEB SITE: WWW.RIOPEL.NET