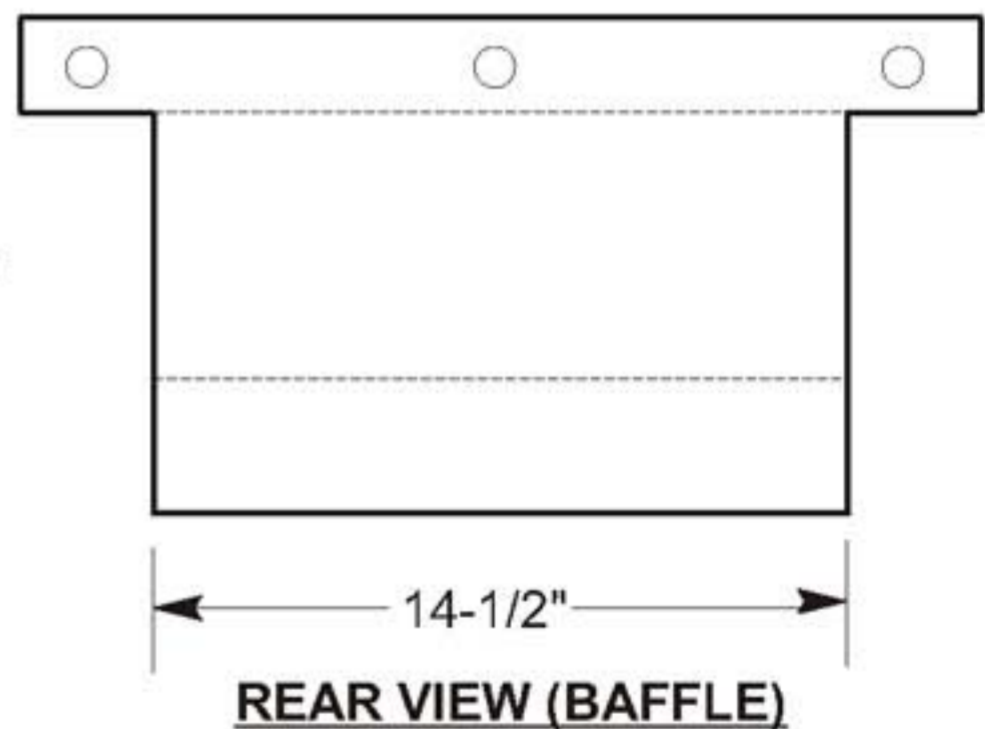
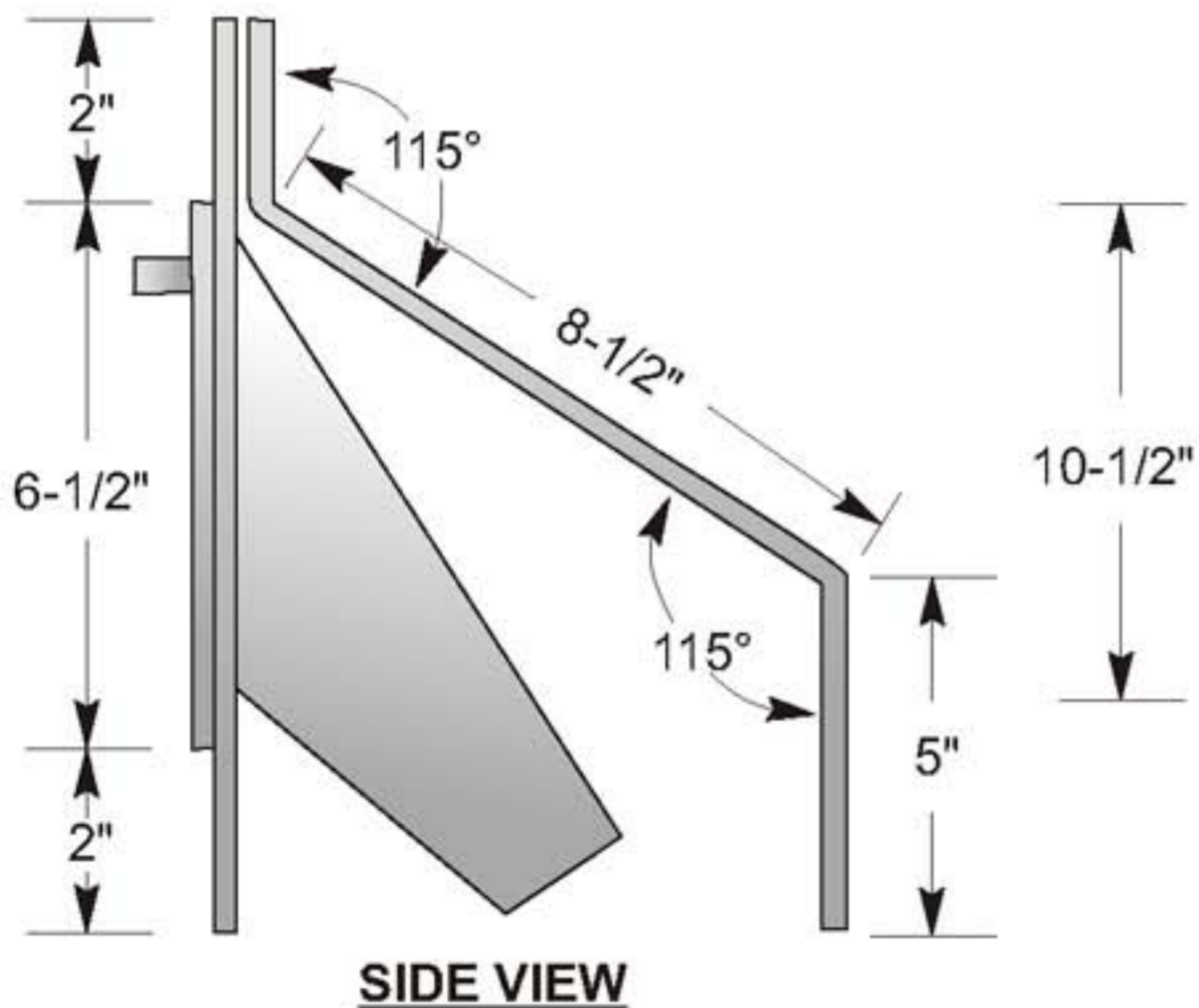
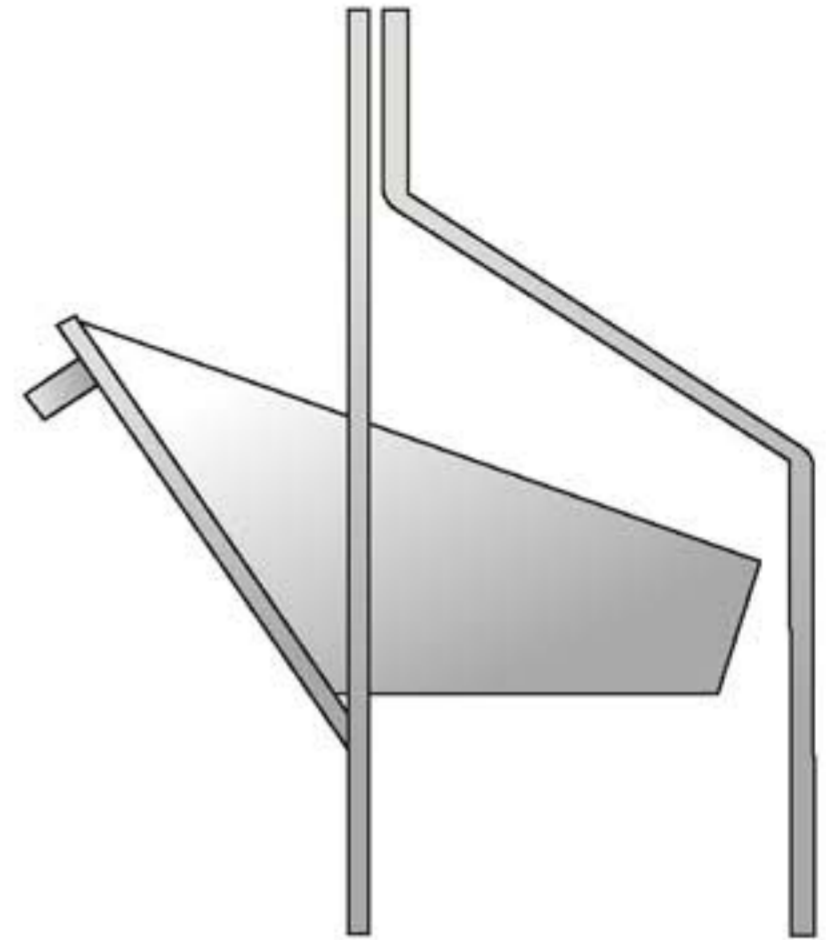
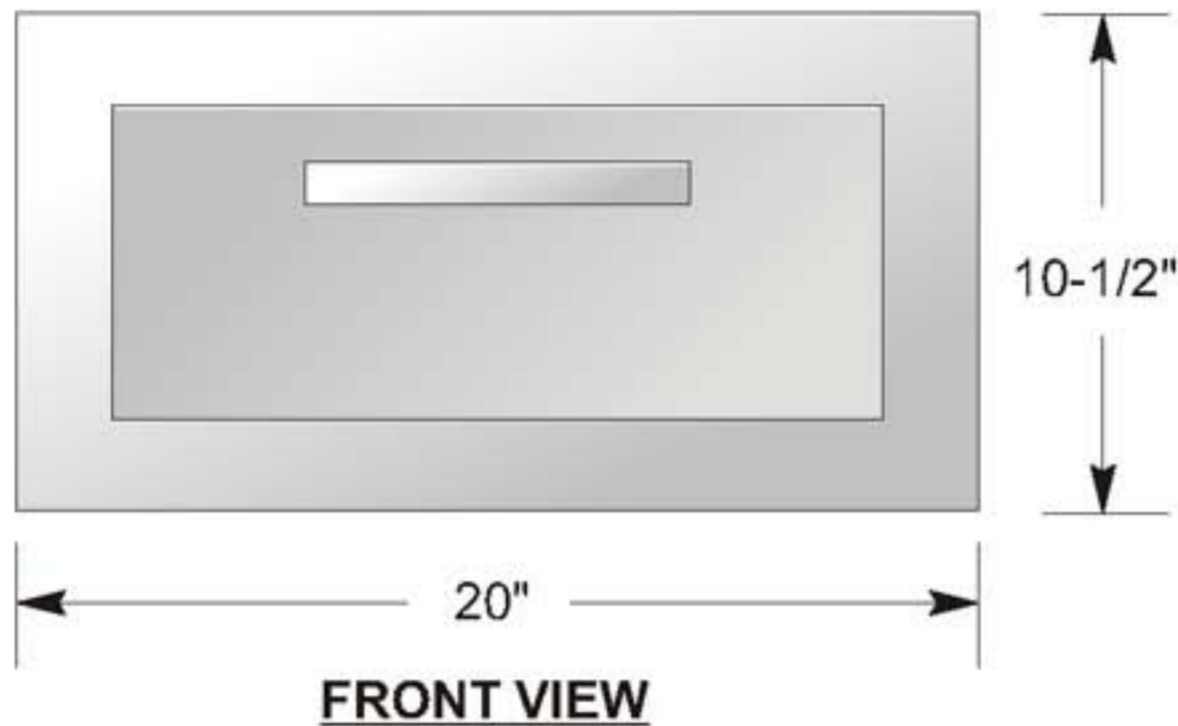


# RIOPEL MAILBOXES



THE STANDARD... BY WHICH OTHERS COMPARE

## R215-BF BOOK DROP WITH BAFFLE



FRAME MADE FROM 3/16" ALUMINUM PLATE BRUSHED AND LACQUERED. DOOR MADE FROM 1/4" ALUMINUM PLATE BRUSHED AND LACQUERED. BAFFLE OF 1/8" ALUMINUM PLATE COVERS AND PROTECTS PASSAGE OF BOOKS ALONG CHUTE. BAFFLE PREVENTS "FISHING" FROM INTERIOR RECEIVING RECEPTACLE.

**UNEQUALLED EXPERTISE IN MAILBOXES + POSTAL SPECIALTIES**

P. RIOPEL INC., 595 St-Remi, Montreal, Que., H4C 3G6 • TEL.: (514) 934-0385 FAX: (514) 934-1732  
E-MAIL: INFO@RIOPEL.NET WEB SITE: WWW.RIOPEL.NET