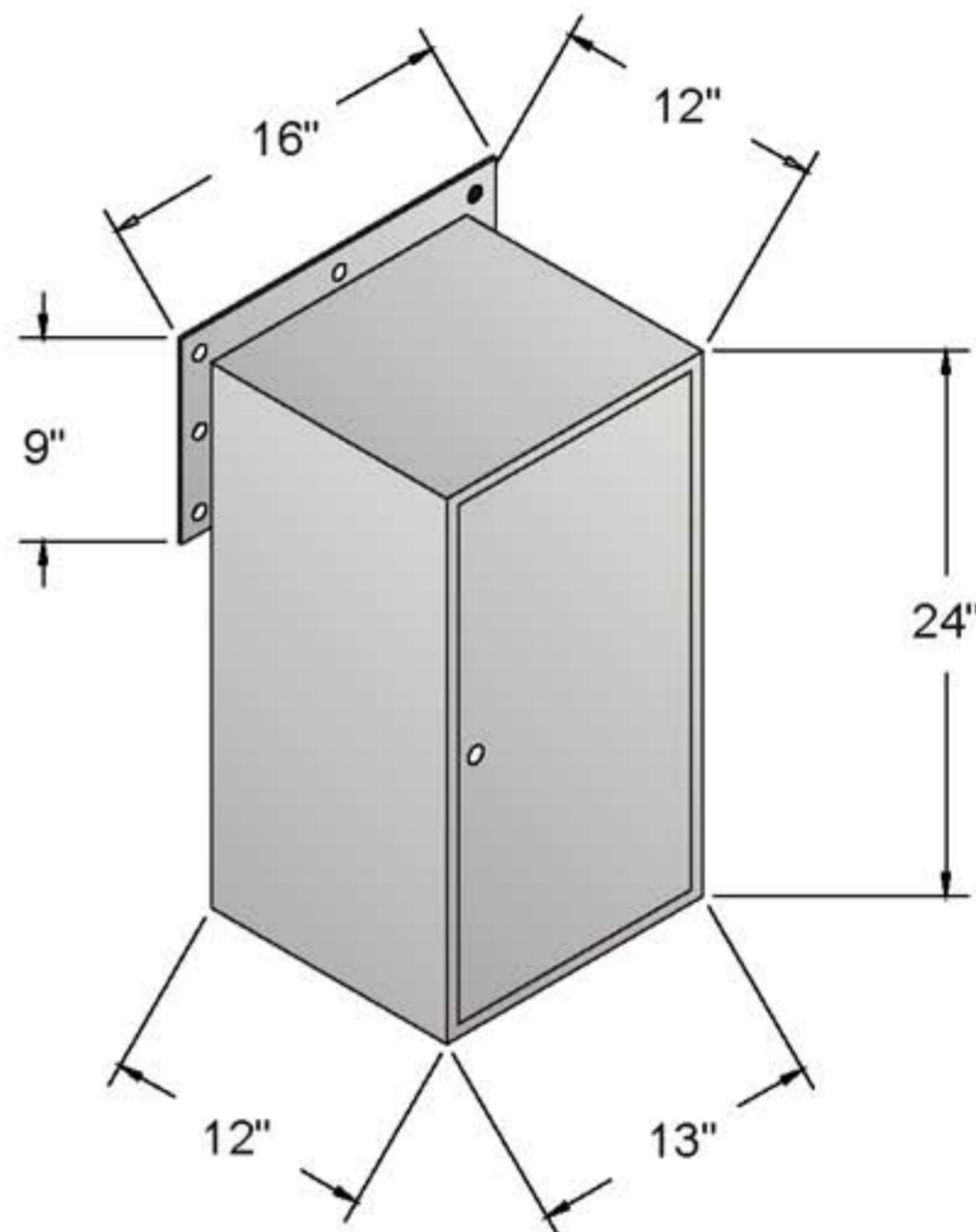
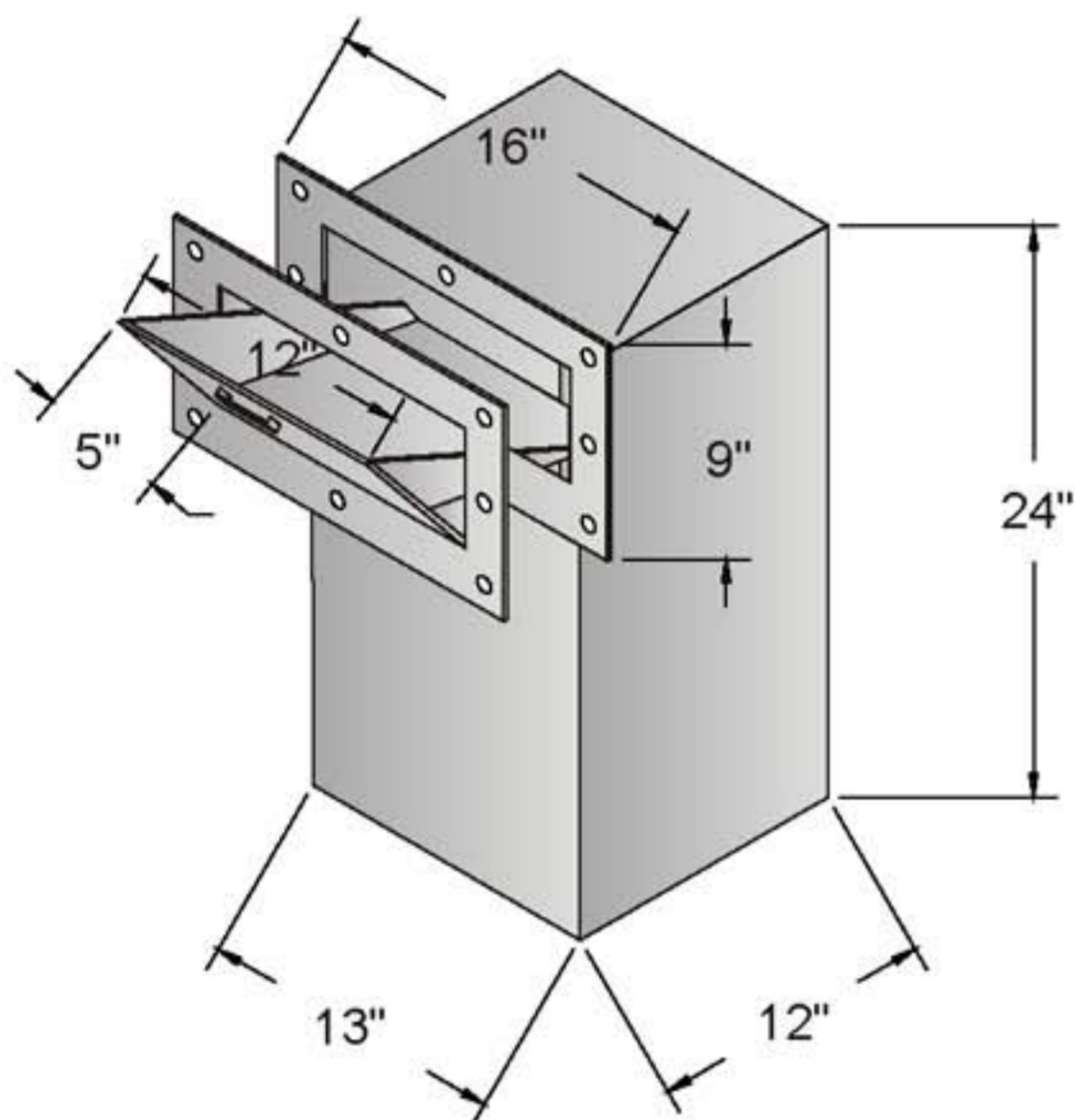




RIOPEL MAILBOXES

THE STANDARD... BY WHICH OTHERS COMPARE

R209 COMPACT DROP BOX

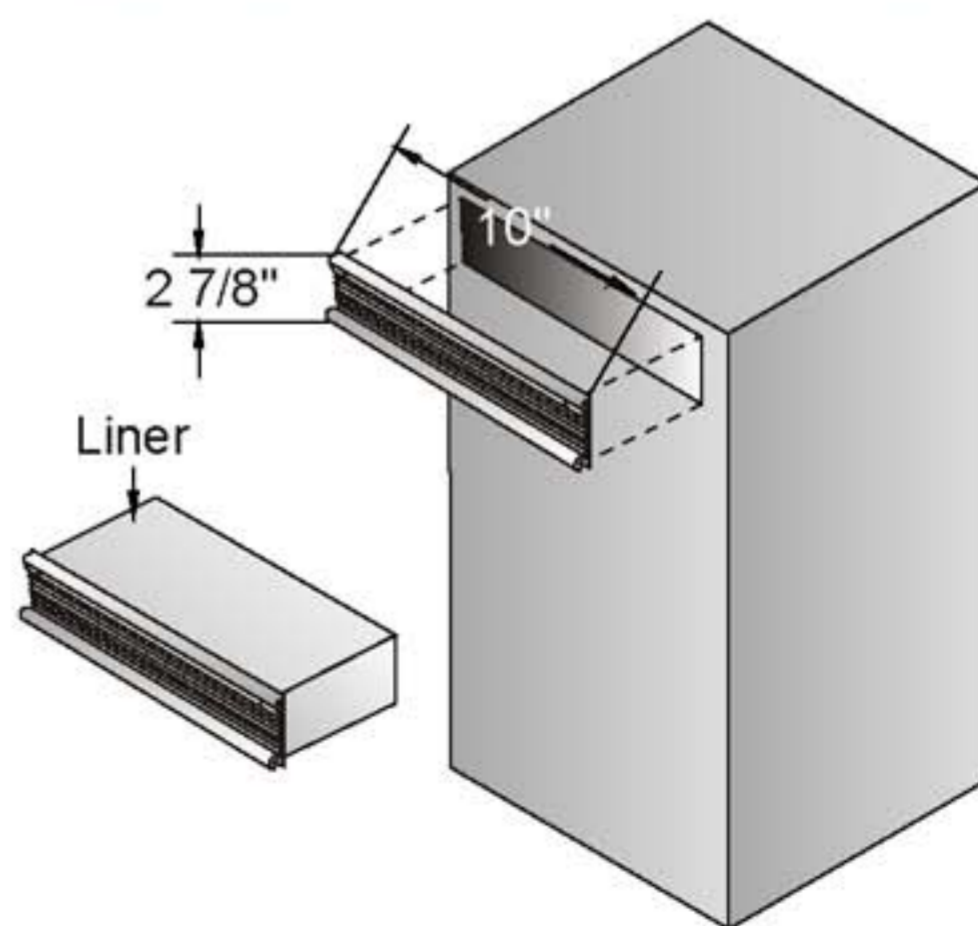


THE IDEAL SOLUTION WHEN THE NEED IS FOR A DROP BOX TO BE INSTALLED ON A DOOR

CHUTE WITH DOOR OF 1/4" THICK AND DOOR FRAME OF 3/16" THICK ALUMINUM PLATE BRUSHED AND CLEAR LACQUERED. DOOR IS 5" x 12". DOOR MAY BE PREPARED FOR POST OFFICE OR PRIVATE LOCK.

CABINET IS MADE OF 18 GAUGE GALVANIZED STEEL PRIMED AND PAINTED SILVER GREY. ACCESS DOOR OF CABINET AND ACCESS DOOR MAY BE CHANGED TO MEET CUSTOMER'S NEED.

R209 WITH LETTER SLOT



UNEQUALLED EXPERTISE IN MAILBOXES + POSTAL SPECIALTIES

P. RIOPEL INC., 595 St-Remi, Montreal, Que., H4C 3G6 • TEL.: (514) 934-0385 FAX: (514) 934-1732
E-MAIL: INFO@RIOPEL.NET WEB SITE: WWW.RIOPEL.NET