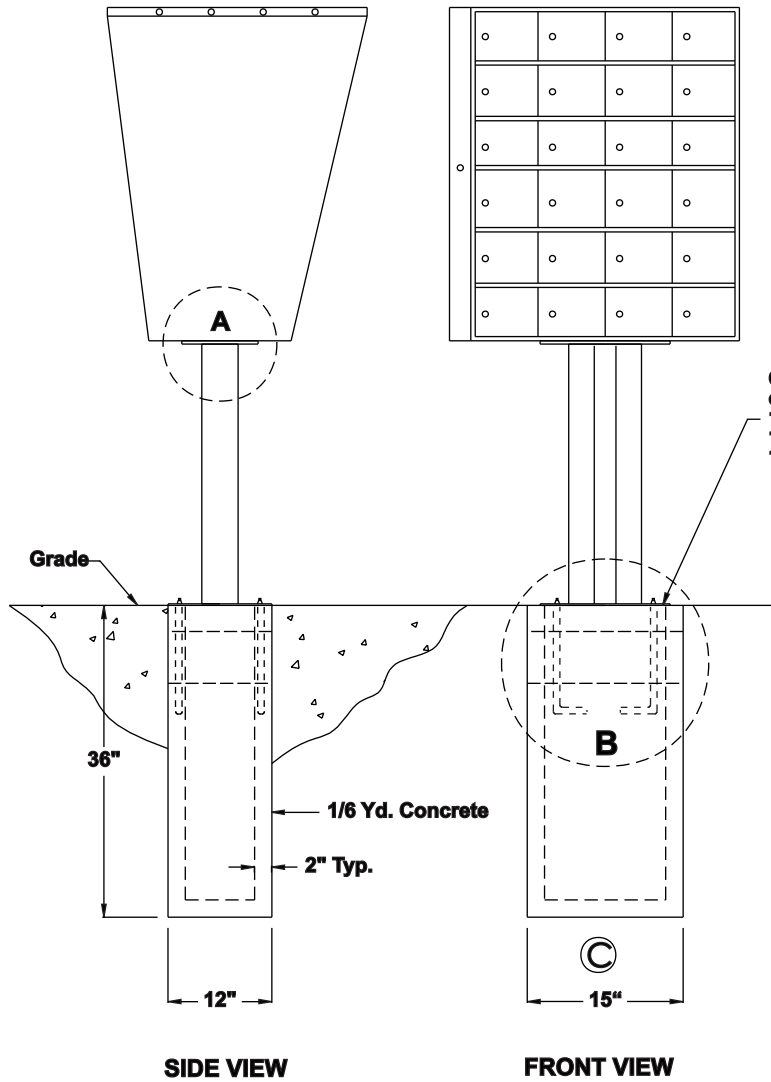
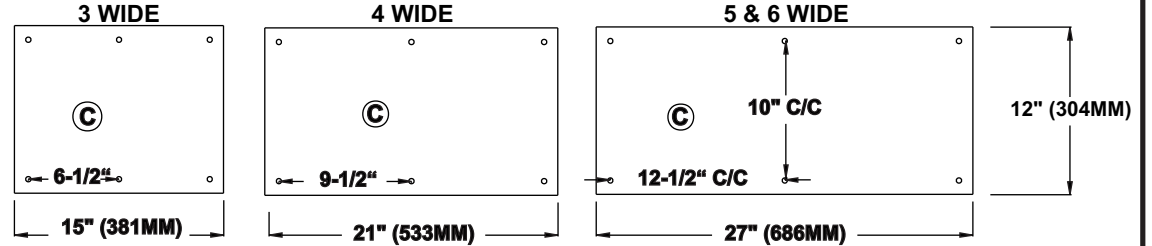
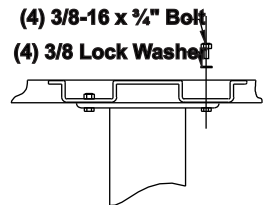
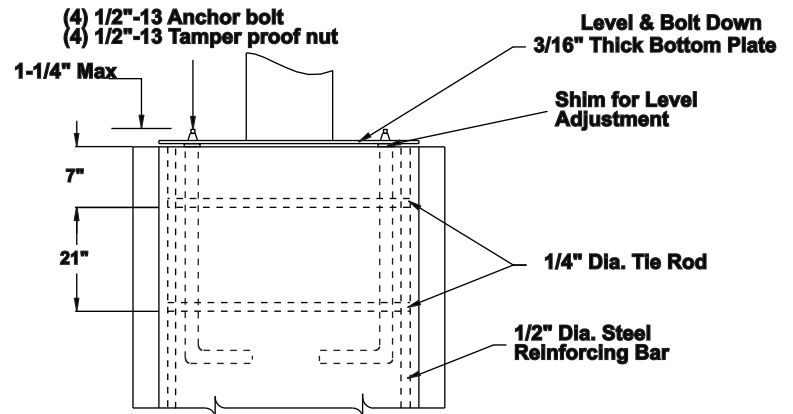


MODEL 6400 PEDESTAL BASES
 HOLES ARE 3/8" DIA. 1" FROM ENDS & SIDES
 CENTER HOLES ARE C/C FROM ENDS 1" FROM SIDES



Outside DIM of Base Plate
 12" x 15" x 3/16"
 12" x 21" x 3/16"
 12" x 27" x 3/16"



P. RIOPEL INC.  MONTREAL, Qc.

PEDESTAL BASES
 MODEL 6400
 INSTALLATION INSTRUCTIONS

TEL: (514) 934-0385 FAX: (514) 934-1732

ALL-STEEL, WEATHER-SEALED OUTDOOR DROP BOX.

PROVIDES A CONVENIENT FRONT
ENTRANCE COLLECTION CENTER FOR
COMPANY - INSTITUTION - EMPLOYEE
MAIL.

CONSOLIDATES MAIL COLLECTION FOR
SACKING AND POST OFFICE PICKUP.

USE ALSO AS DROP BOX FOR SMALL
PACKAGES, DOCUMENTS, ETC.

CONSTRUCTION IS EXTRA-HEAVY GAUGE
STEEL.

ANTI-THEFT, GRAVITY-ACTION MAIL DROP
DOOR ACCEPTS ALL-SIZE MAIL.

WEATHER-SEAL DESIGN WITH TOP
OVERHANG PROTECTS CONTENTS FROM
SNOW AND RAIN.

COMES WITH GOOD QUALITY CAM LOCK.
HIGH SECURITY LOCK OR PADLOCK
OPTIONAL. DEPOSIT DOOR CAN BE
MADE LOCKABLE.

ATTRACTIVE COCOA BROWN ENAMEL
FINISH. OTHER COLOURS OPTIONAL.